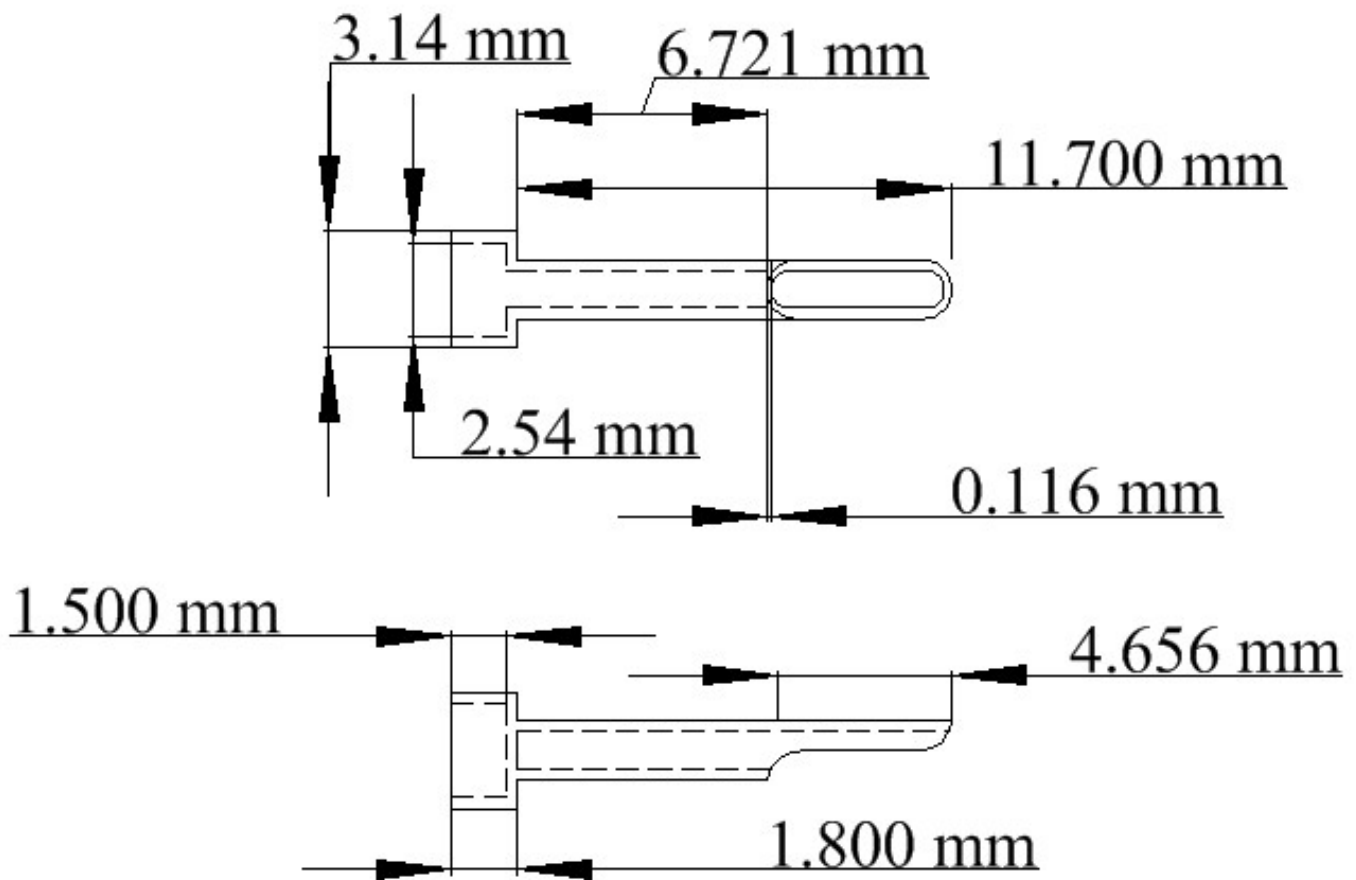


Adolf Gordon Corporation

AG-CY



AG-CY

Materials: Neoprene/Silicone