
Adolf Gordon Corporation

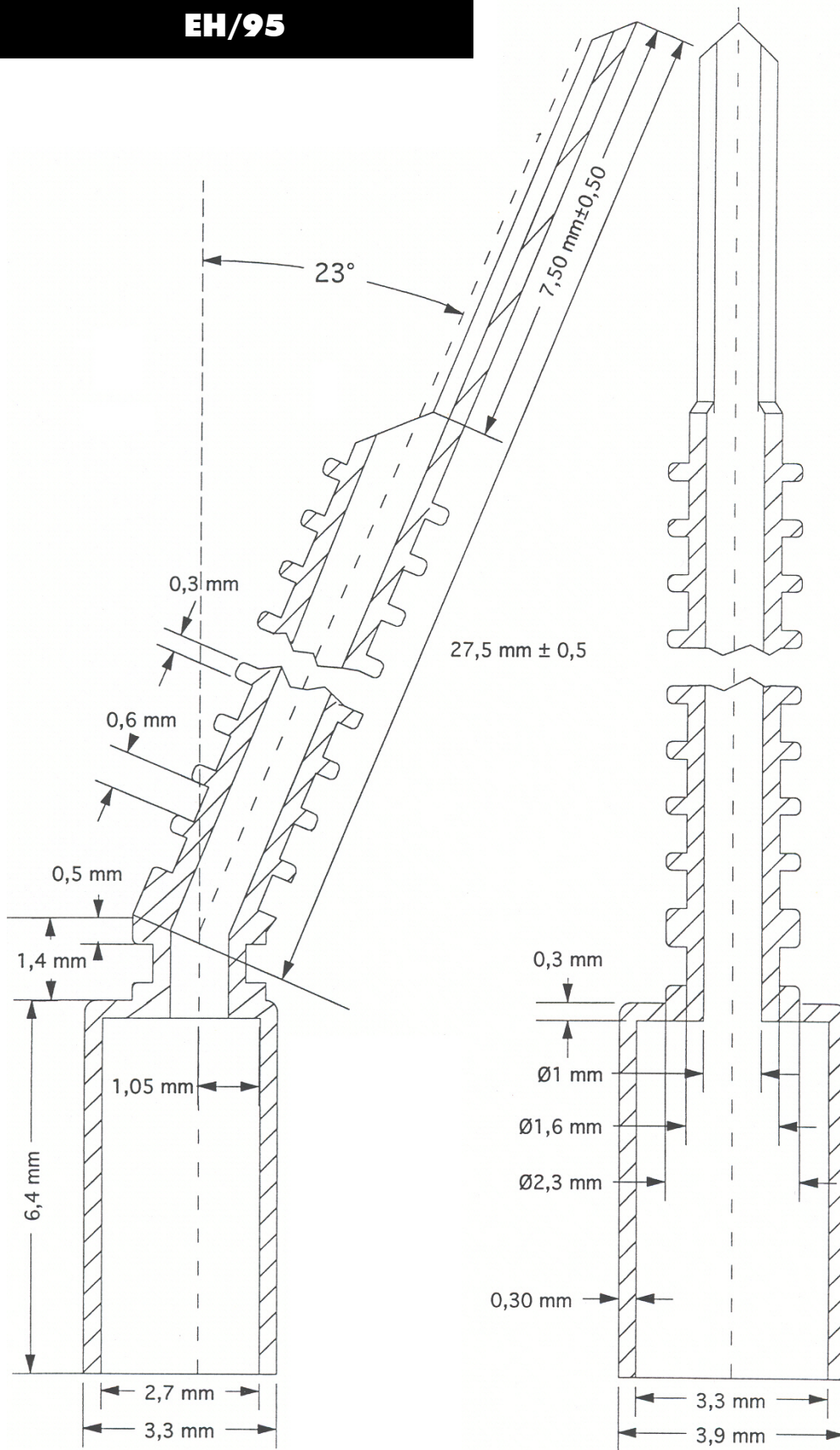
Receiver Suspensions

**Abbreviated Version
For Marketing Purposes Only**

CAD
DIAGRAMS

Adolf Gordon Corporation

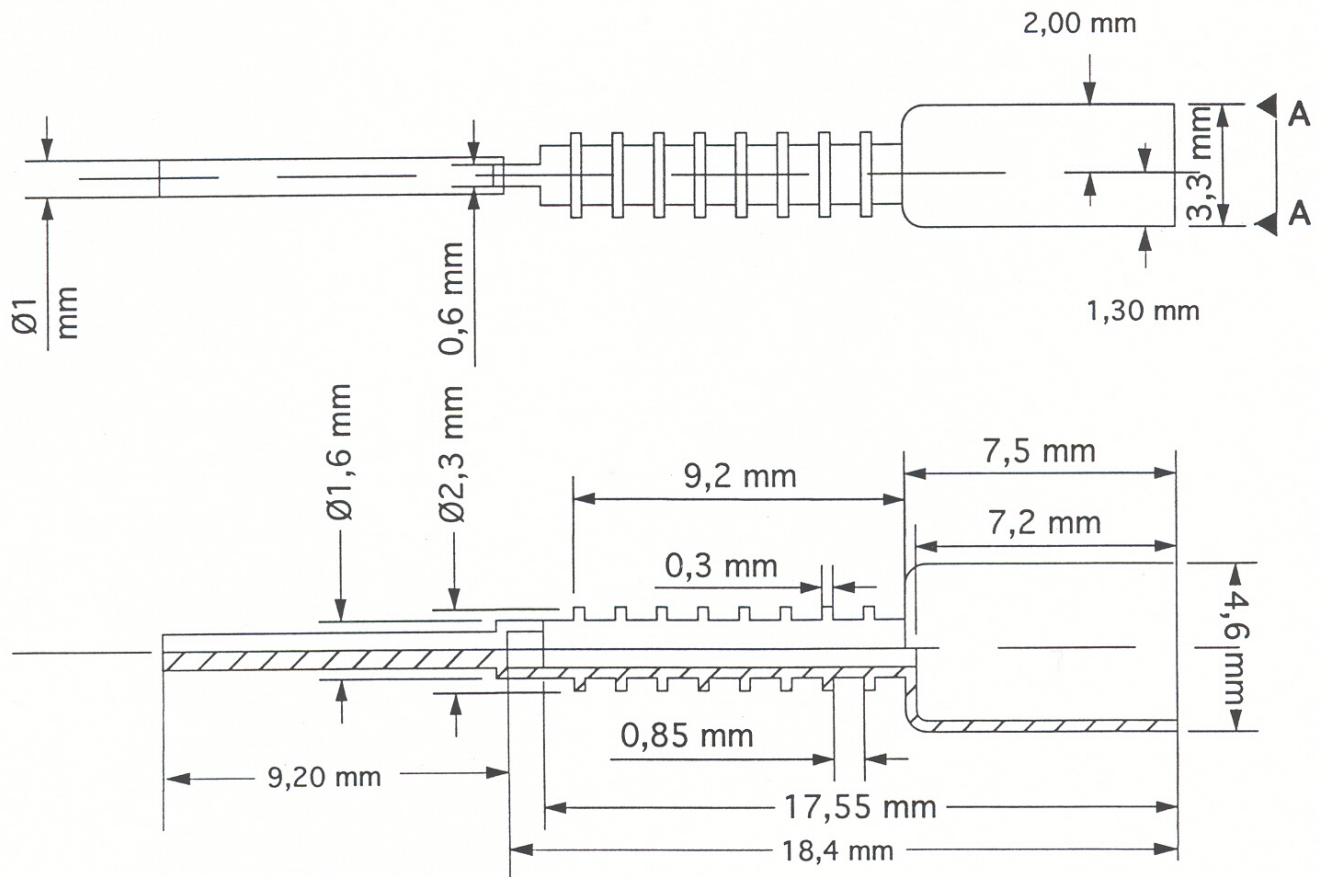
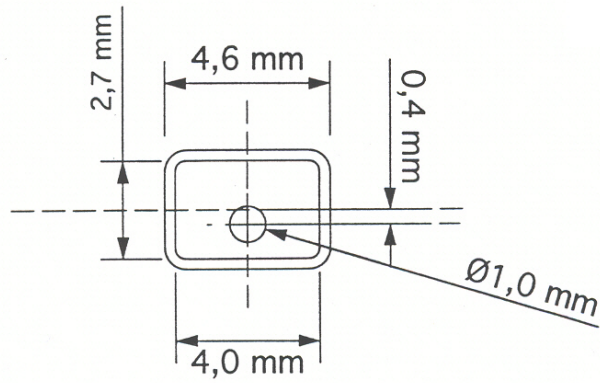
EH/95



Adolf Gordon Corporation

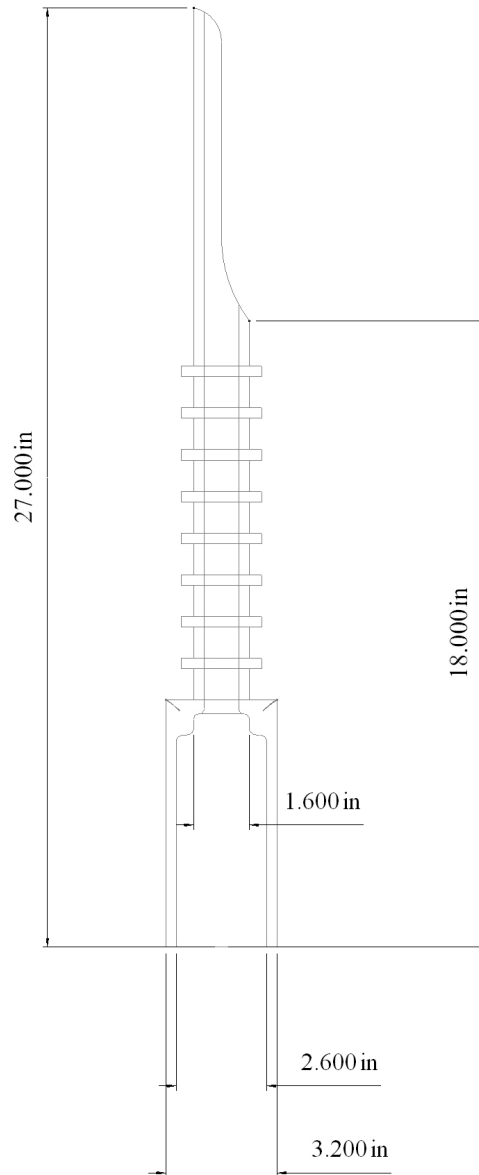
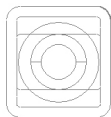
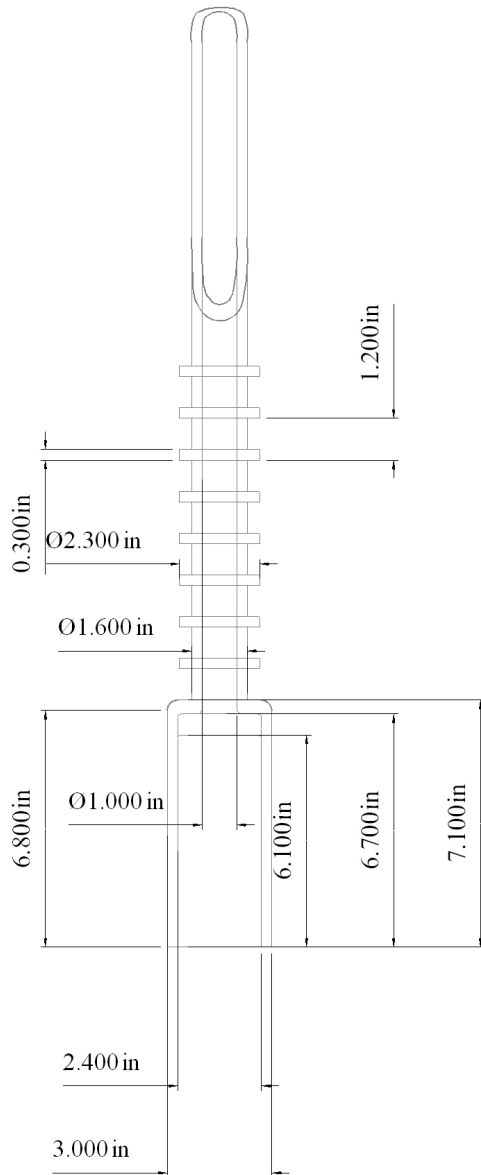
ED-87

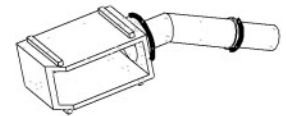
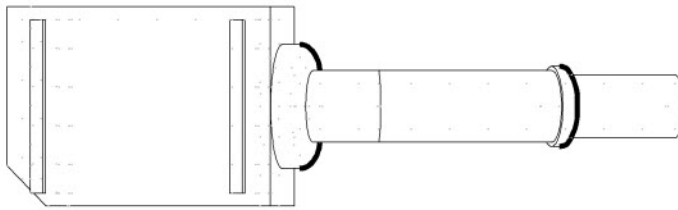
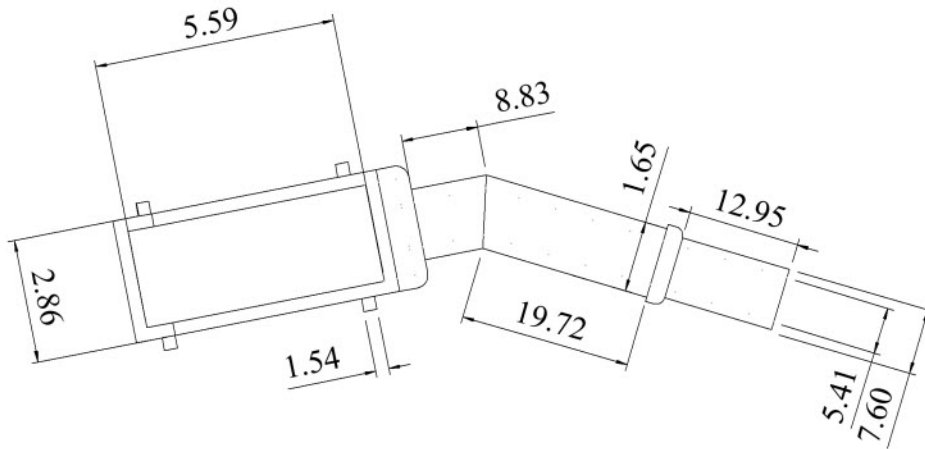
VIEW A-A



Adolf Gordon Corporation

FH-1





Dimensions: MM